

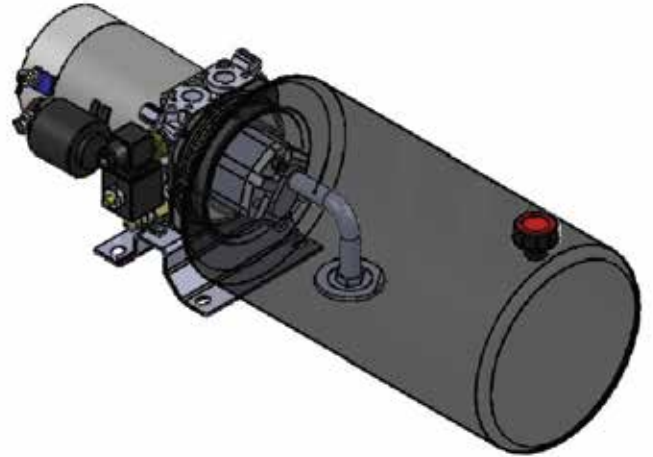
POWERPACKS



Hydro-pack

- Heavy duty
- 12 or 24 VDC
- Many configurations for all jobs

The PP 12 & 24 VDC power packs are designed for tipping and ramp applications. With a range of accessories available.

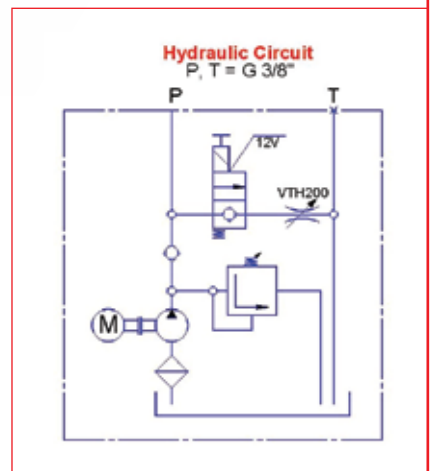
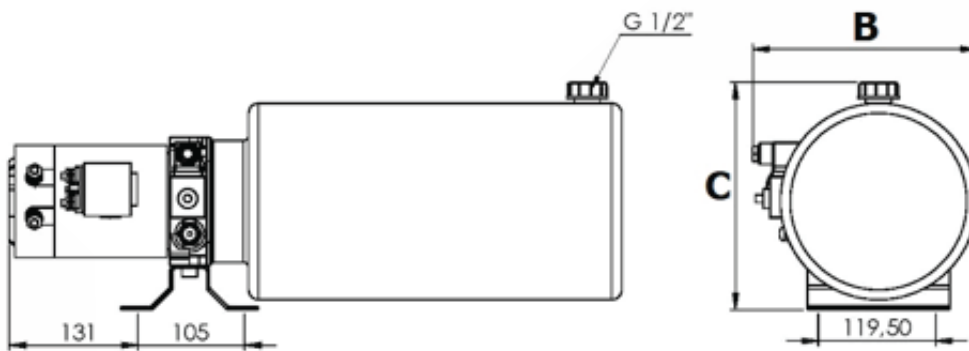
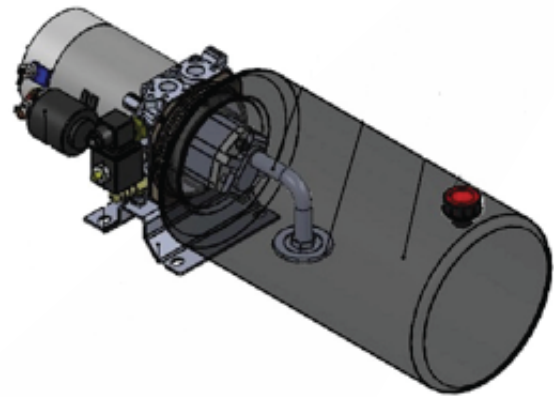
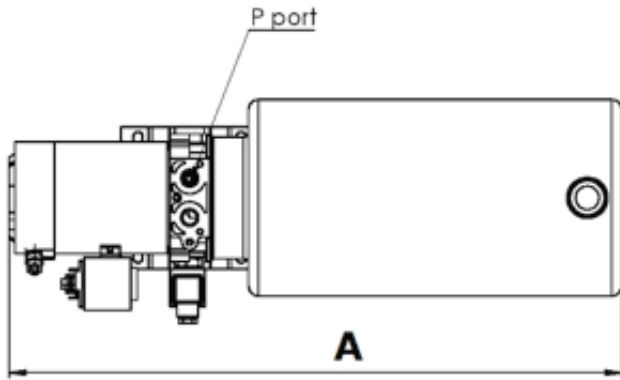


ACCESSORIES

Range includes:
Cetop Adapter, Cetop Valves,
Pendant Controls & Radio
Remote Controls.



POWERPACKS



Code	Voltage	Type	Flow Lts	Max pressure	Tank	A mm	B mm	Cmm
HPP/PT08-12	12	Pump Tank Only	8	180	8	494	228	231
HPP/PT08-24	24	Pump Tank Only	8	180	8	494	228	231
HPP/PT10-12	12	Pump Tank Only	8	180	12	624	228	231
HPP/PT10-24	24	Pump Tank Only	8	180	12	624	228	231
HPP/PT15-12	12	Pump Tank Only	8	180	15	574	252	267
HPP/PT15-24	24	Pump Tank Only	8	180	15	574	252	267
HPP/SA04-12	12	Single Acting	8	180	4	374	228	231
HPP/SA04-24	24	Single Acting	8	180	4	374	228	231
HPP/SA06-12	12	Single Acting	8	180	6	434	228	231
HPP/SA06-24	24	Single Acting	8	180	6	434	228	231
HPP/SA08-12	12	Single Acting	8	180	8	494	228	231
HPP/SA08-24	24	Single Acting	8	180	8	494	228	231
HPP/SA10-12	12	Single Acting	8	180	12	624	228	231
HPP/SA10-24	24	Single Acting	8	180	12	624	228	231
HPP/SA15-12	12	Single Acting	8	180	15	574	252	267
HPP/SA15-24	24	Single Acting	8	180	15	574	252	267
HPP/SA20-12	12	Single Acting	8	180	18	644	252	267
HPP/SA20-24	24	Single Acting	8	180	18	644	252	267
HPP/DA06-12	12	Double Acting	8	180	6	434	228	231
HPP/DA06-24	24	Double Acting	8	180	6	434	228	231
HPP/DA08-12	12	Double Acting	8	180	8	494	228	231
HPP/DA08-24	24	Double Acting	8	180	8	494	228	231
HPP/DA15-12	12	Double Acting	8	180	15	574	252	267
HPP/DA15-24	24	Double Acting	8	180	15	574	252	267

THS TRUCK HYDRAULIC SOLUTIONS

DESIGN - SUPPLY - FITMENT - SERVICE

NATIONAL SALES/SERVICE PH 1300 80 30 70

NSW: 12/31 COOMBS DR, PENRITH NSW 2750

VICTORIA: 2/54 BARRETTA RD, RAVENHALL VIC 3023

QUEENSLAND: 4/40 REGINALD STREET, ROCKLEA QLD 4106

www.truckhydraulicsolutions.com.au