

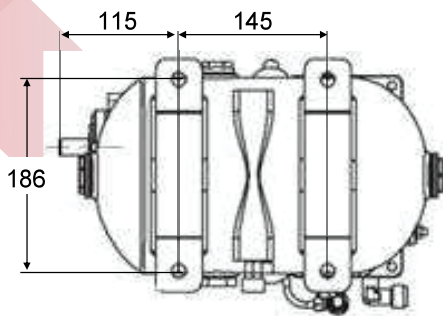
MODULE KIT 30 CFM HYD30K-xxV COMPRESSOR

- Oil-injected rotary screw compressor
- Compressed air on demand
- Fully self contained
- Simple installation

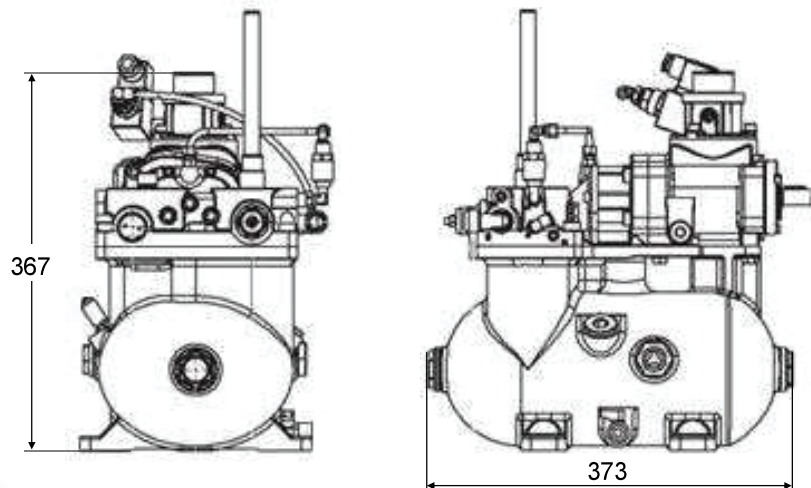


POWER		COUPLING	MAX AIR FLOW RATE AT 7 bar— 100 psi		WORKING PRESSURE RANGE		WEIGHT	DIMENSIONS (mm)		
Kw	hp		m ³ /min	cfm	bar	psi		Kg	Length	Width
2.2 - 7.5	3 - 10	Direct	0.97	34	5 -13	73 - 189	21	373	249	368

MOUNTING DIMENSIONS



OVERALL DIMENSIONS (WITHOUT MOTOR OR FILTER)



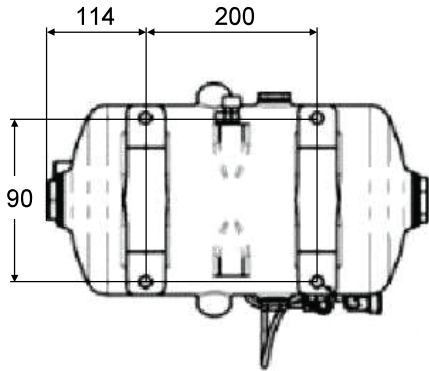
MODULE KIT 60 CFM HYD75K-xxV COMPRESSOR

- Oil-injected rotary screw compressor
- Compressed air on demand
- Fully self contained
- Simple installation

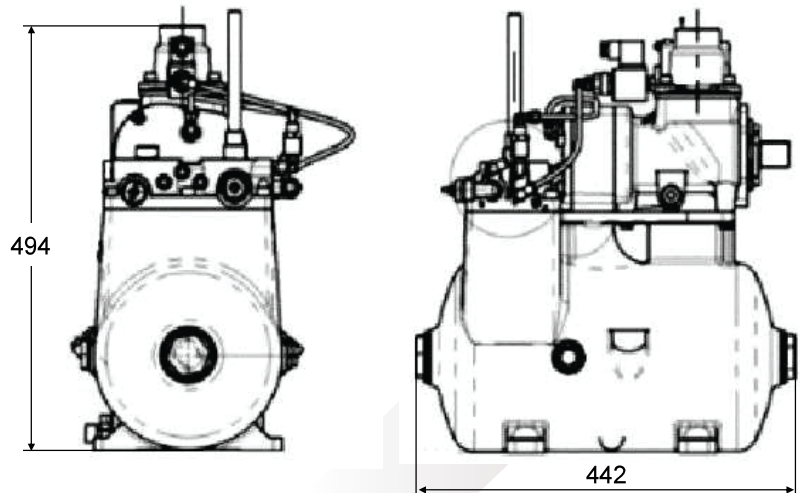


POWER		COUPLING	MAX AIR FLOW RATE AT 7 bar— 100 psi		WORKING PRESSURE RANGE		WEIGHT	DIMENSIONS (mm)		
Kw	hp		m ³ /min	cfm	bar	psi		Kg	Length	Width
7.5 - 15	10 - 20	Direct	2.1	70	5 - 13	73-189	55	556	316	492

MOUNTING DIMENSIONS



OVERALL DIMENSIONS (WITHOUT MOTOR OR FILTER)



HYD90P HYDRAULIC DRIVEN AIR COMPRESSOR COMPRESSOR

- Quiet operation
- Compact and lightweight
- Flexible mounting options
- Greater mobility over tow behind compressors
- Easy to retro fit on new vehicles
- Reduced operating cost compared to engine driven compressors
- Remote mount control module



ORDERING CODES



HYD90P-12V

HYD90P-24V

SPECIFICATIONS

Air Capacity	90 CFM	2.55 m ³ /min
Pressure Range	188 psi	13 bar
Hydraulic Flow	14-26 GPM	55-100 l/m
Hydraulic Pressure	2200-2900 psi	150-200 bar
Electrical Input	12 or 24 volt	
Standard Safety Features	Over temperature shutdown, integrated relief valve	

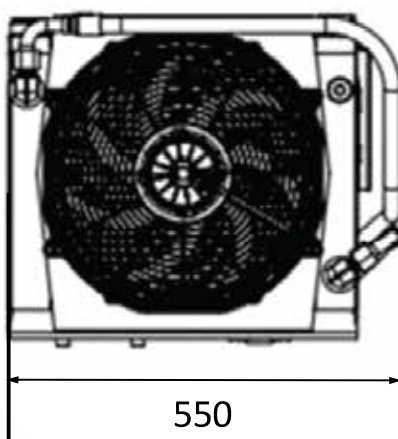
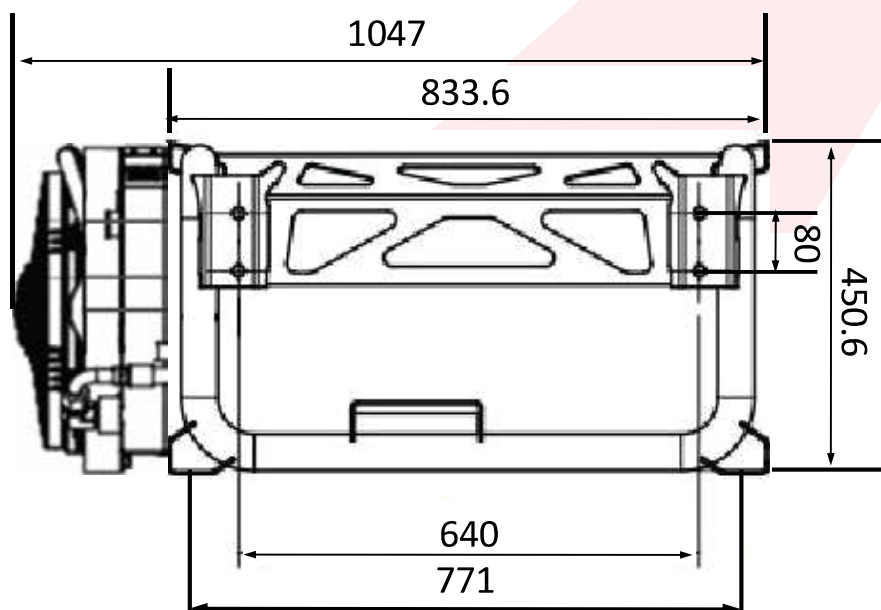
OPTIONS

AIR FILTER 	Air Capacity:	1.6-3.6 m ³ /min (56-127 CFM)
	Max. Pressure:	16 bar (232 psi)
	Filter Grade:	1 micron general purpose
	Gauge:	Visual, pressure differential
	Drain:	Automatic
	Inlet & Outlet Ports:	1/2" BSP (1.6 m ³ /min)
	Inlet & Outlet Ports:	3/4" BSP (3.6 m ³ /min)
FILTER REGULATOR 	Air Capacity:	3 m ³ /min (106 CFM)
	Max. Pressure:	10 bar (145 psi)
	Filter Grade:	5 micron
	Mounting Bracket:	Metal
	Pressure Gauge:	0-1000 kPa
	Drain:	Manual, normally closed

HYD90P HYDRAULIC DRIVEN AIR COMPRESSOR

COMPRESSOR

DIMENSIONS



THS TRUCK HYDRAULIC SOLUTIONS

DESIGN - SUPPLY - FITMENT - SERVICE

☎ NATIONAL SALES/SERVICE PH **1300 80 30 70**
📍 NSW: 12/31 COOMBES DR, PENRITH NSW 2750
📍 VICTORIA: 2/54 BARRETTA RD, RAVENHALL VIC 3023
📍 QUEENSLAND: 4/40 REGINALD STREET, ROCKLEA QLD 4106
🌐 www.truckhydraulicsolutions.com.au