

# AIR CONTROLS ELECTRIC

- Quality components
- Plug and play design
- Easy to interface



All **THS** electric and air/electric kits are manufactured with high quality OEM or after market switches with clearly labelled looms and instructions

Code	Description
<b>EEC-001</b>	PTO generic switch Electric PTO with fuse protected loom, 12/24VDC
<b>EEC-003</b>	Tip valve up/down with fuse protected loom, with CBV activate wire
<b>EVCSA-001</b>	PTO generic switch S/A Vacuum with fuse protected loom, 12/24VDC solenoid
<b>EVCSA-004</b>	PTO generic switch S/A Vacuum + Electric Tip valve up/down with fuse protected loom, 12/24VDC
<b>EVCDA-001</b>	PTO generic switch D/A Vacuum with fuse protected loom, 12/24VDC solenoid
<b>EVCDA-004</b>	PTO generic switch D/A Vacuum + Electric Tip valve up/down with fuse protected loom, 12/24VDC
<b>EAC001-xxV</b>	PTO generic switch Air PTO with fuse protected loom, 12/24VDC solenoid
<b>EAC010-xxV</b>	Single Electric/Air solenoid in IP64 rated box complete
<b>EAC012-xxV</b>	Double Electric/Air solenoid in IP64 rated box complete
<b>EAC013-xxV</b>	Triple Electric/Air solenoid in IP64 rated box complete
<b>EAC014-xxV</b>	Quad Electric/Air solenoid in IP64 rated box complete

# AIR ACCESSORIES ELECTRIC

➤ Quality European brands

All **THS** air and electric accessories are European sourced and of the highest quality for use within the Truck market

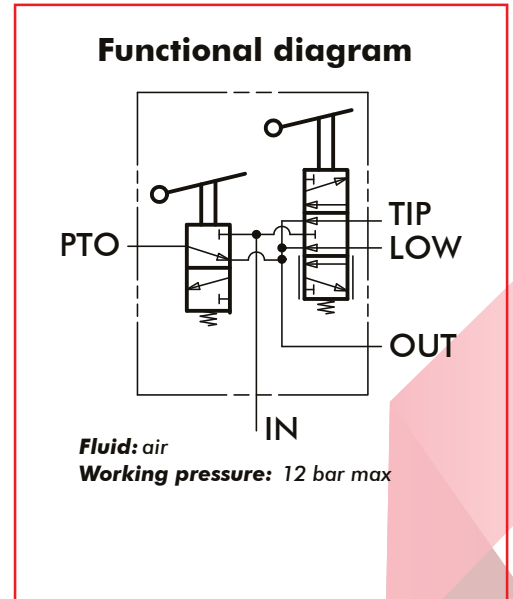
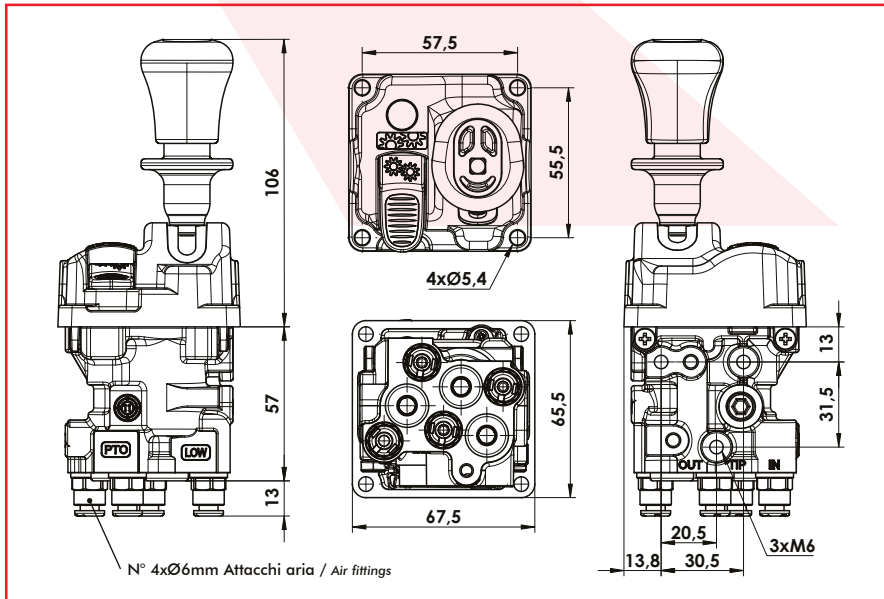


Code	Description
<b>SV001N</b>	Stackable air/electric solenoid valve w/Hirschman 24VDC
<b>SV002N</b>	Stackable air/electric solenoid valve w/Hirschman 24VDC
<b>6510-0601</b>	Air fitting 6mm to 1/8" GAS
<b>6510-0602</b>	Air fitting 6mm to 1/4" GAS
<b>6520-0601</b>	Air fitting 6mm to 1/8" GAS 90 Degree
<b>6520-0620</b>	Air fitting 6mm to 1/4" GAS 90 Degree
<b>6540-06</b>	Air fitting Tee 6mm 6mm 6mm
<b>6560-06</b>	Air fitting Y Piece 6mm 6mm 6mm
<b>6580-06</b>	Air fitting Joiner 6mm 6mm
<b>6590-06</b>	Air fitting Bulkhead 6mm 6mm
<b>AIR6MM</b>	Air line 6mm Nylon
<b>AIR14NYLON</b>	Air line 1/4" Nylon

# N - FORCE SERIES

## AIR PROPORTIONAL CAB SWITCH

Air proportional cab switch with full integrated lever to control both PTO engagement and body tipping / lowering. Several versions available to meet any requirements.



### FOR PRODUCTS CODE

	Available versions: Lever return	Automatic "CE"	Manual (with low and tip block)	Manual (with low block)
With PTO control switch	<b>Sblocco automatico PTO</b> Automatic PTO knock-off	<b>100-001-71003</b> air fittings Ø6 <b>100-001-81003</b> air fittings 1/4"	<b>100-001-71094</b> air fittings Ø6 <b>100-001-81094</b> air fittings 1/4"	<b>100-001-71209</b> air fittings Ø6 <b>100-001-81209</b> air fittings 1/4"
	<b>Sblocco manuale PTO</b> Manual PTO knock-off	<b>100-001-71030</b> air fittings Ø6 <b>100-001-81030</b> air fittings 1/4"	<b>100-001-71067</b> air fittings Ø6 <b>100-001-81067</b> air fittings 1/4"	<b>100-001-71127</b> air fittings Ø6 <b>100-001-81127</b> air fittings 1/4"
Without PTO control switch	<b>Senza comando PTO</b> Without PTO control switch	<b>100-001-71110</b> air fittings Ø6 <b>100-001-81110</b> air fittings 1/4"	<b>100-001-71101</b> air fittings Ø6 <b>100-001-81101</b> air fittings 1/4"	<b>100-001-71218</b> air fittings Ø6 <b>100-001-81218</b> air fittings 1/4"

ATTENTION: all devices with manual blocks in tipping or lowering position are not in compliance with European Machinery Directive 2006/42/EC (point 3.3.1)

**THS** TRUCK HYDRAULIC SOLUTIONS

DESIGN - SUPPLY - FITMENT - SERVICE

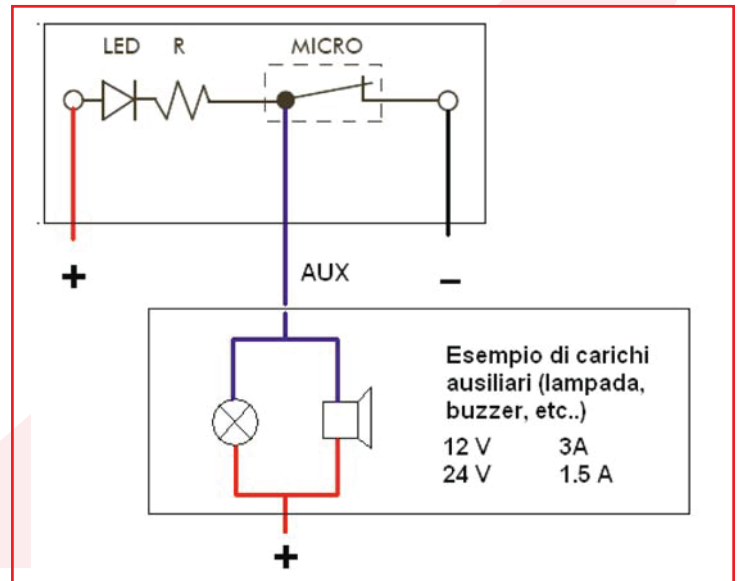
NATIONAL SALES/SERVICE PH **1300 80 30 70**  
 NSW: 12/31 COOMBS DR, PENRITH NSW 2750  
 VICTORIA: 2/54 BARRETTA RD, RAVENHALL VIC 3023  
 QUEENSLAND: 4/40 REGINALD STREET, ROCKLEA QLD 4106  
[www.truckhydraulicsolutions.com.au](http://www.truckhydraulicsolutions.com.au)

# N - FORCE SERIES

## AIR PROPORTIONAL CAB SWITCH

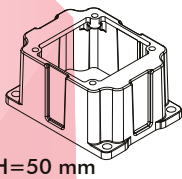
### Electric kits connection

Connect the lamp to the feeding (max. 24V). LED absorption 20mA. Fasten the red wire to the positive pole and the black wire to the negative one. It is possible to connect auxiliary loads using the violet cable as per enclosed diagram. Max load: 12V 2A/24V 1A. If you don't use the violet cable you need to isolate it.



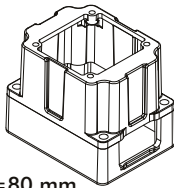
### Accessories

100-002-70038



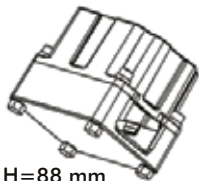
H=50 mm

100-002-70047



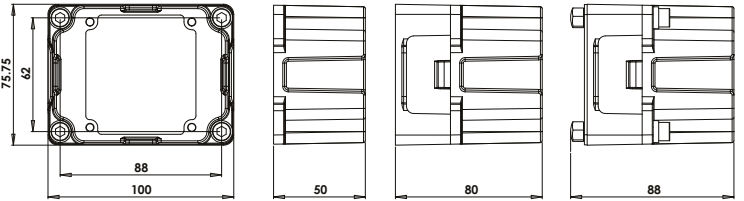
H=80 mm

100-002-70154

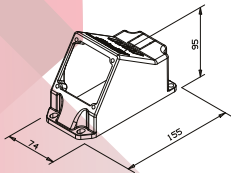


H=88 mm

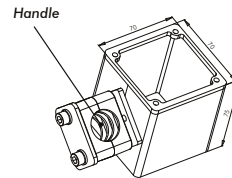
Bracket (OPTIONAL). Mounting tower



100-002-70065



Bracket external mounting (OPTIONAL). With this kit you can also fit a pneumatic switch (OPTIONAL) to control other auxiliary applications.

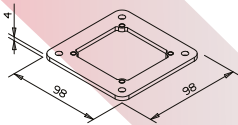


Fixing N-FORCE kit to cabin handle.

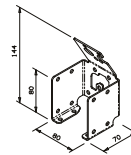
100-002-70056 - Handle d. 25 mm

100-002-70181 - Handle d. 22 mm

100-002-70074



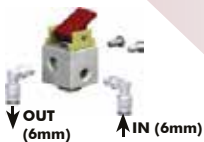
Flange and screw for fixing the switch on the dashboard (OPTIONAL).



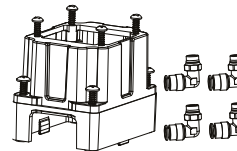
100-002-60094

Multi-position bracket.

100-002-60101



2-ways pneumatic switch to be coupled with our bracket P/N 100-2-70065 (optional)



100-002-70029

Bracket kit for N-Force/Kip-air control H=80+1/8 pipe 6 fittings



100-002-00032 - OPTIONAL

- Normally open.
- Voltage: 12 / 24V.
- Controlled power: 3W.
- Working pressure 2,7-4,2 bar

**THS** TRUCK HYDRAULIC SOLUTIONS

DESIGN - SUPPLY - FITMENT - SERVICE

NATIONAL SALES/SERVICE PH 1300 80 30 70

NSW: 12/31 COOMBS DR, PENRITH NSW 2750

VICTORIA: 2/54 BARRETTA RD, RAVENHALL VIC 3023

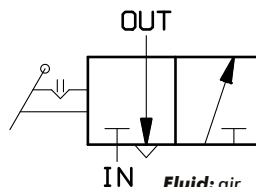
QUEENSLAND: 4/40 REGINALD STREET, ROCKLEA QLD 4106

[www.truckhydraulicsolutions.com.au](http://www.truckhydraulicsolutions.com.au)

# N - GAGE SERIES

## AIR PNEUMATIC CAB SWITCH

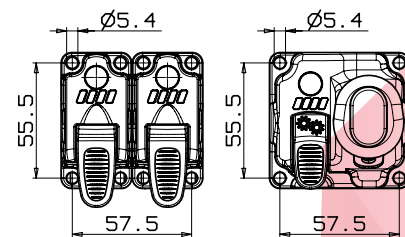
- Pneumatic switch 3/2
- Maximum pressure 12 bar
- Switch and built-in signal LED for PTO control (only for model P/N 100-001-00462)
- Pressure switch option for auxiliary signal P/N 100-002-00032 (optional)



Fluid: air  
Working pressure: 12 bar max

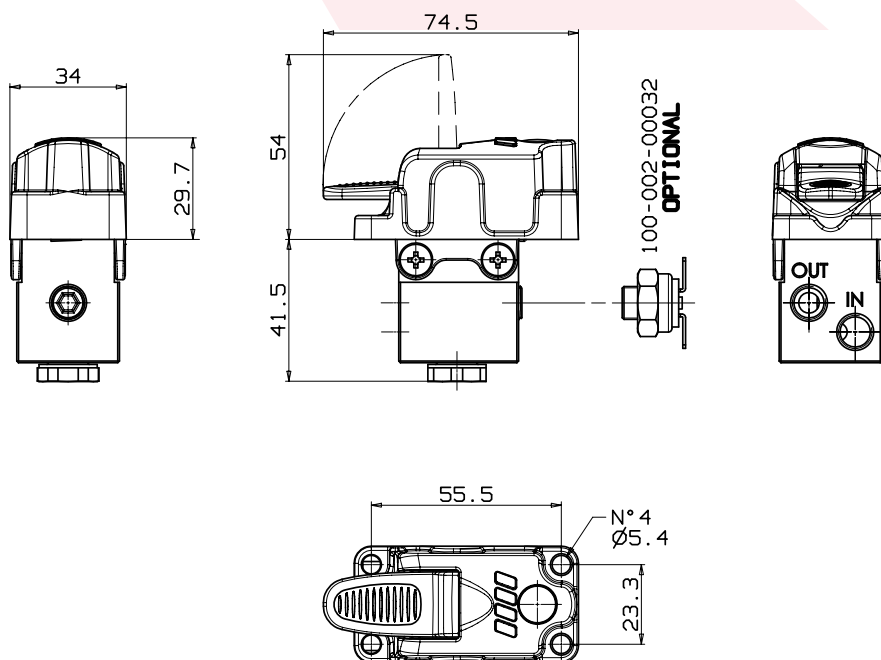


### Assembling compatible with N-FORCE air control



#### OPTIONAL

100-002-70092  
Bracket kit



### FOR PRODUCTS CODE:



With lamp

100-001-00462



Without lamp

100-001-00471

**THS** TRUCK HYDRAULIC SOLUTIONS

DESIGN - SUPPLY - FITMENT - SERVICE

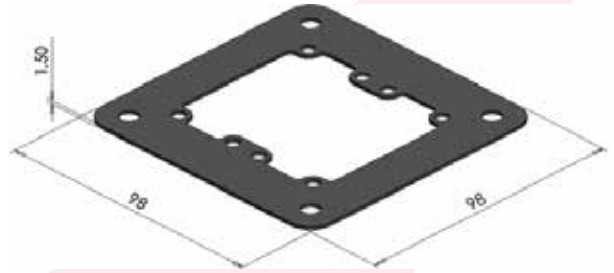
☎ NATIONAL SALES/SERVICE PH **1300 80 30 70**  
📍 NSW: 12/31 COOMBS DR, PENRITH NSW 2750  
📍 VICTORIA: 2/54 BARRETTA RD, RAVENHALL VIC 3023  
📍 QUEENSLAND: 4/40 REGINALD STREET, ROCKLEA QLD 4106  
🌐 [www.truckhydraulicsolutions.com.au](http://www.truckhydraulicsolutions.com.au)

# N - GAGE SERIES

## AIR PNEUMATIC CAB SWITCH

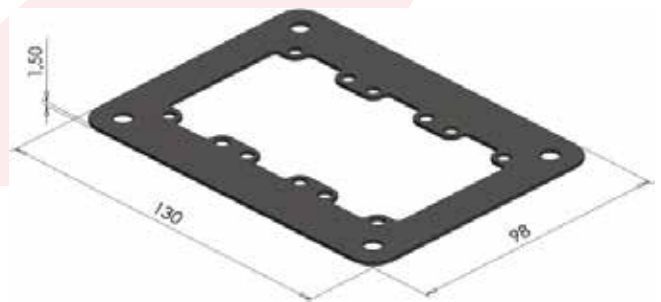
### 100-002-70109:

2-ways square fixing plate kit for N-GAGE2.



### 100-002-70118:

3-ways square fixing plate kit for N-GAGE2.



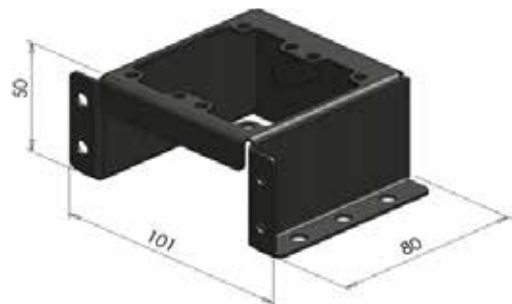
### 100-002-70127:

1-way mounting bracket kit for N-GAGE2.



### 100-002-70136:

2-ways mounting bracket kit for N-GAGE2.



### 100-002-70145:

3-way mounting bracket kit for N-GAGE2.

