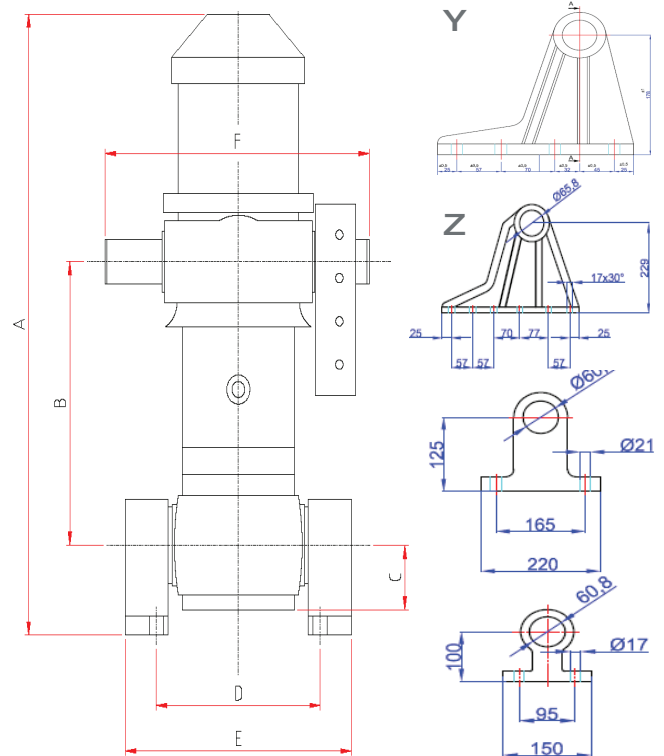


18-45 TONNE FRONT MOUNT TIPPING CYLINDER



- Forged Clevis top and eye
- Spherical Bearing in clevis eye
- 2 x Bearing Guides
- Heavy Duty Stop Ring
- All stages Hard Chromed
- Oversized Forged Trunnion and pins
- Trunnion Pin Machined Grease Track
- 2 YEAR WARRANTY



FRONT MOUNT "H" CYLINDER	PIVOT FOR 48° TIP ANGLE	TIPPING CAPACITY	A* MM	B MM	D MM	E MM	PORT BSP"	S.VOL LITRES	WEIGHT KG	FOOT HEIGHT	LIFTING BKTS
116-3-2470H	3050	18T	1220	343	240	313	3/4"	22	135	100	Y
116-3-3195H	3950	18T	1480	343	240	313	3/4"	30	150		
116-3-3585H	4400	18T	1580	343	240	313	3/4"	34	162		
116-3-4125H	5100	18T	1780	343	240	313	3/4"	37	176		
116-4-4780H	5900	18T	1563	343	240	313	3/4"	38	165		
135-3-3195H	3950	24T	1480	343	240	333	3/4"	43	194		Z
135-3-3450H	4300	24T	1570	343	240	333	3/4"	47	200		
135-3-3720H	4600	24T	1685	343	240	333	3/4"	50	218		
135-4-4100H	5100	24T	1445	343	240	333	3/4"	45	205		
135-4-4780H	5900	24T	1620	343	240	333	3/4"	48	223		
135-4-5320H	6600	24T	1770	343	240	333	3/4"	52	235		
155-4-5140H	6400	32T	1750	343	305	375	3/4"	69	250	125	
175-4-6040H	7500	45T	2000	343	343	380	1"	108	357		
175-4-6580H	8100	45T	2150	343	343	380	1"	119	384		
175-4-6940H	8550	45T	2235	343	343	380	1"	124	402		
175-5-7325H	9100	42T	1965	343	343	380	1"	126	371		